



ONE-STOP SUPPLIER OF POLYCARBONATE FILM

Thickness From 0.125mm to 4mm



Plastic Sheets



Plastic Finishes



Plastic Fabrication



# UVPLASTIC

General Purpose Polycarbonate Film (UVTPC-GP)

[www.uvplastic.com](http://www.uvplastic.com)

# ABOUT UVPASTIC

2003

Founding Time

35

Staffs

30+

Countries

560+

Clients

12+

Millions

## WHO WE ARE

UVPLASTIC Material Technology Co., Ltd is a *ONE-STOP SUPPLIER* and *INTEGRATED SOLUTION PROVIDER* in the plastic field, established in 2003 at Suzhou, China. After many years of continuous effort, the company has grown to be a leading supplier of

[Polycarbonate Sheet;](#)

[Acrylic Sheet;](#)

[Plastic Fabrication Services;](#)

**OEM & ODM Services;**

Today, UVPLASTIC is active in architecture & construction, agriculture, medical industry, auto industry, security industry, electronic industry, POP display, optical industry, and industrial fabrication, etc.

## COOPERATION PARTNER



# WHY UVPLASTIC

## One-Stop Supplier



UVPLASTIC is a one-stop [supplier of polycarbonate](#) and acrylic sheets in all forms. Meantime, we offer the complete system for the greenhouse, building roof, and [facade system](#).

## Strong Fabrication Capacity



UVPLASTIC offers integrated fabrication solution for polycarbonate and acrylic sheets including [cutting](#), bending, drilling, milling, carving, thermoforming, injection molding, and coating.

## Design and Development

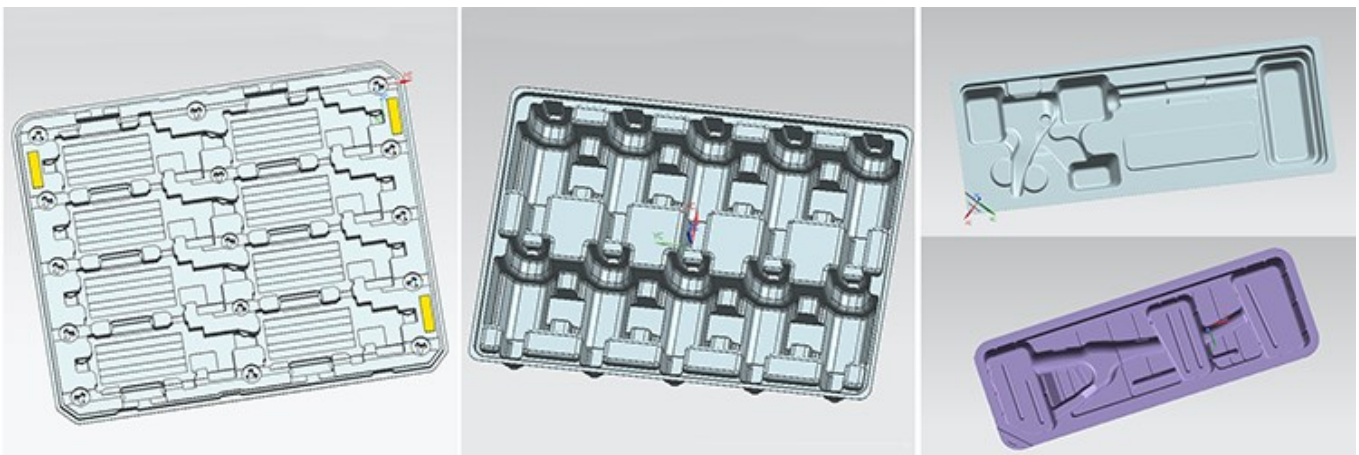
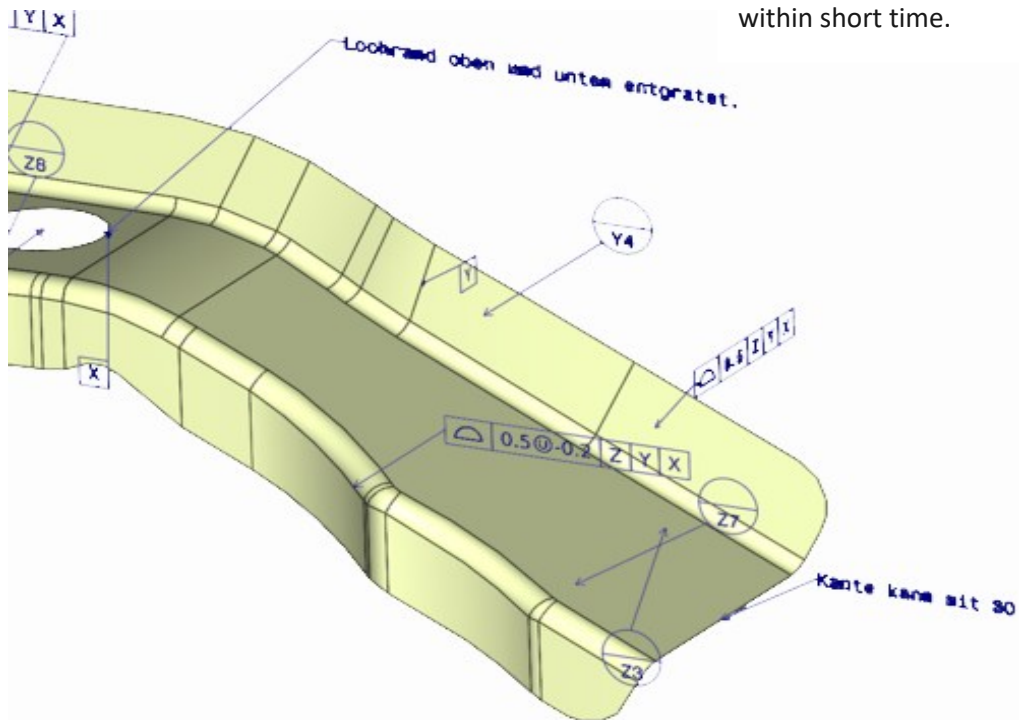


With assistance from CAD, Solidworks, CATIA, and UG, UVPLASTIC works with global engineers to discuss product feasibility and find the best solution for the projects.

## Custom Fabrication



With more than 15 years of experience and high efficient working style, UVPLASTIC can build the prototype fastly and will make customer's ideas come true within short time.



## ***Polycarbonate***

[Solid Polycarbonate sheet](#);  
[Multi Wall Polycarbonate Sheet](#);  
[Thin Polycarbonate Sheet/Film](#);  
[Hard Coated Polycarbonate Sheet](#);  
[Corrugated Polycarbonate Sheet](#);  
[ESD Polycarbonate Sheet](#);  
[Polycarbonate Diffuser Sheet](#);  
[V0 Flame Retardant Polycarbonate](#);

## ***Acrylic***

[Cast acrylic sheet](#);  
[Extruded Acrylic Sheet](#);  
[Colored Acrylic Sheet](#);  
[ESD Acrylic Sheet](#);  
[Coated Acrylic Sheet](#);  
[Non glare Acrylic Sheet](#);  
[Scratch Resistant Acrylic Sheet](#);  
[Acrylic Mirror Sheet](#);

## ***Plastic Fabrication Service***

Polycarbonate Cut To Size;  
Edge Finishing;  
Plastic Bending;  
Surface Finishing;  
Thermoforming;  
Screen/Digital printing

## ***OEM & ODM***

[Riot Shield](#);  
[Plastic Chair Mat](#);  
[Clear Kayak](#);  
[Polycarbonate skylight Dome](#);  
[Clear Bubble Tent](#);  
Acrylic Display;  
Acrylic Furniture;





**UVPLASTIC**

ONE-STOP SUPPLIER OF POLYCARBONATE FILM

***FLEXIBLE***



# *FOCUSING*





**UVPLASTIC**

ONE-STOP SUPPLIER OF POLYCARBONATE FILM

***POWER***





***Environment-Friendly***



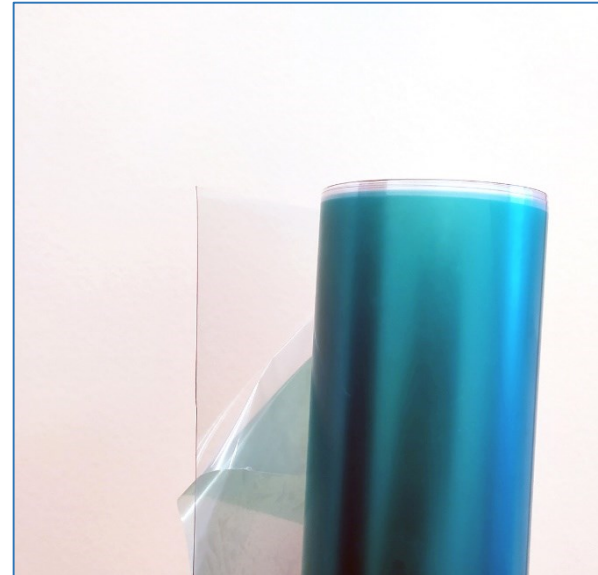
*This is* **POLYCARBONATE FILM**



## General Purpose Polycarbonate Film (UVTPC-GP)

**UVTPC-GP Polycarbonate Film** is a multi-functional and general-purpose thermoplastic film with a polished and/or textured surface. It offers excellent optical clarity, outstanding heat resistance, good stiffness, great printability.

It can be easily thermoformed, molded, die-cut and printed. UVTPC-GP Polycarbonate films are used for the electroplated mirror, medical packaging, digital printing screen, monitor displayer, protective shield, nameplate, control panel, membrane switches, etc.



### Main Benefits

- Excellent toughness and impact resistance, it is virtually unbreakable;
- Excellent printability without pre-treatment;
- Almost Zero impurity and optical clarity;
- Outstanding flame retardant property, up to V0/UL94;
- Easy to machine to any shapes you want, can be cold bent and thermal formed;
- Good performance at a large temperature from -40 °C to 120 °C;
- More flexible and available in UV protective layer for outdoor use;
- Scratch resistance and abrasion resistance;

## Products Range

Model	Surface Type	Packaged as Roll	Packaged as Sheet
UVTPC-GP11	Polished / Polished	<input type="radio"/>	<input type="radio"/>
UVTPC-GP21	Fine Matte / Polished	<input type="radio"/>	<input type="radio"/>
UVTPC-GP31	Fine Velvet / Polished	<input type="radio"/>	<input type="radio"/>
UVTPC-GP32	Fine Velvet / Fine Matte	<input type="radio"/>	<input type="radio"/>
UVTPC-GP41	Velvet / Polished	<input type="radio"/>	<input type="radio"/>
UVTPC-GP42	Velvet / Fine Matte	<input type="radio"/>	<input type="radio"/>

### Dimension (Polycarbonate Film as Roll)

Thickness, mm	Length (m)	Width is 930 mm	Width is 1220 mm
0.125	400	<input type="radio"/>	<input type="radio"/>
0.175	350	<input type="radio"/>	<input type="radio"/>
0.2	325	<input type="radio"/>	<input type="radio"/>
0.25	300	<input type="radio"/>	<input type="radio"/>
0.3	250	<input type="radio"/>	<input type="radio"/>
0.375	200	<input type="radio"/>	<input type="radio"/>
0.5	150	<input type="radio"/>	<input type="radio"/>

Customized thicknesses are available upon request, subject to a minimum order.

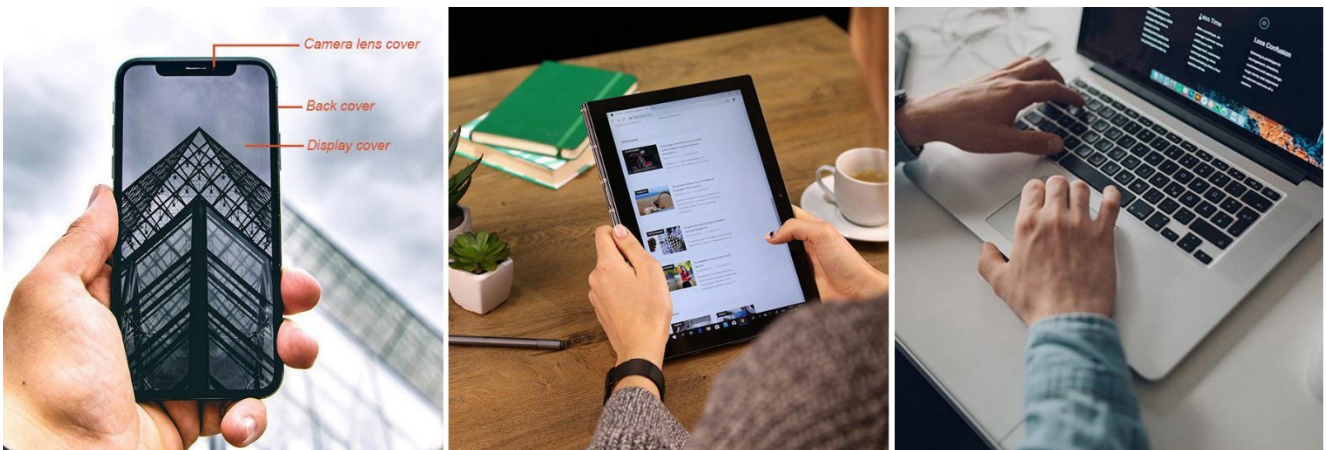
## Dimension (Polycarbonate Film as Sheet)

Thickness (mm)	915×1220 (mm)	915×1830 (mm)	1000×2000 (mm)	1220×1830 (mm)	1220×2440 (mm)
0.3 – 0.4		○	○		○
0.5 – 1	○	○	○	○	○
1.5 – 4	○				○

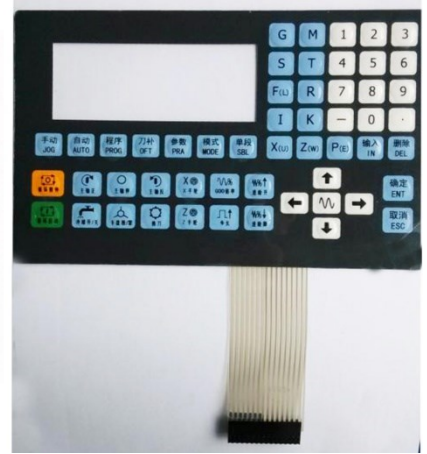
Customized sizes are available upon request, subject to a minimum order.

## Applications

### Display Windows



## Membrane Switches



## Face Shield



**Automotive Dashboard**



**AND MORE...**



## CONTACT US

**UVPLASTIC Material Technology Co.,Ltd**

Add: 205 Suzhou West Avenue, Suzhou Industrial Park, Suzhou City,  
China, 215000

Tel: +86 512 85186727

E-mail: [info@uvplastic.com](mailto:info@uvplastic.com)

Homepage: [www.uvplastic.com](http://www.uvplastic.com)